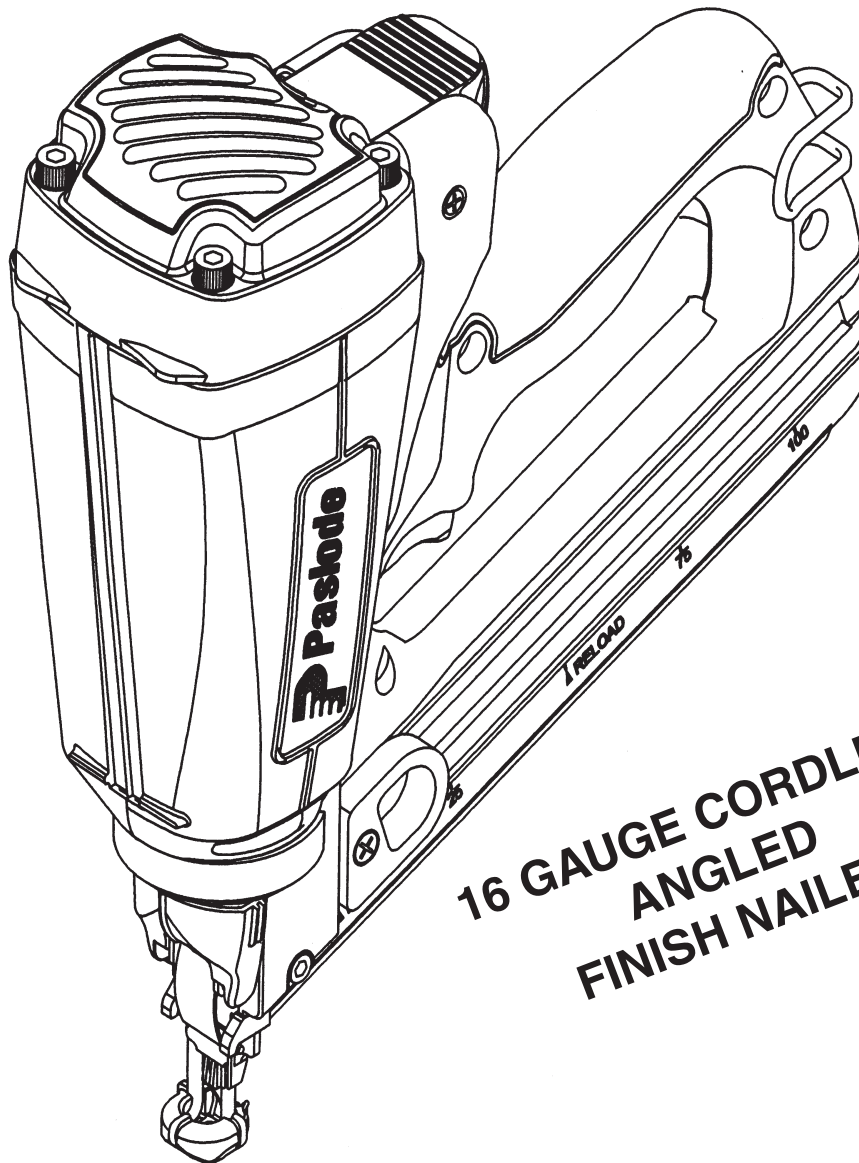




Trim Master  
Model: IM250A  
Part No. 900600  
Angled Finish Nailer



**16 GAUGE CORDLESS  
ANGLED  
FINISH NAILER**

**IMPORTANT!  
DO NOT DESTROY**

Always refer to operating manual #405630 for detailed information on this tool. It is the customer's responsibility to have all operators and service personnel read and understand this information.

**TOOL SCHEMATIC AND PARTS**

# PARTS LEGEND

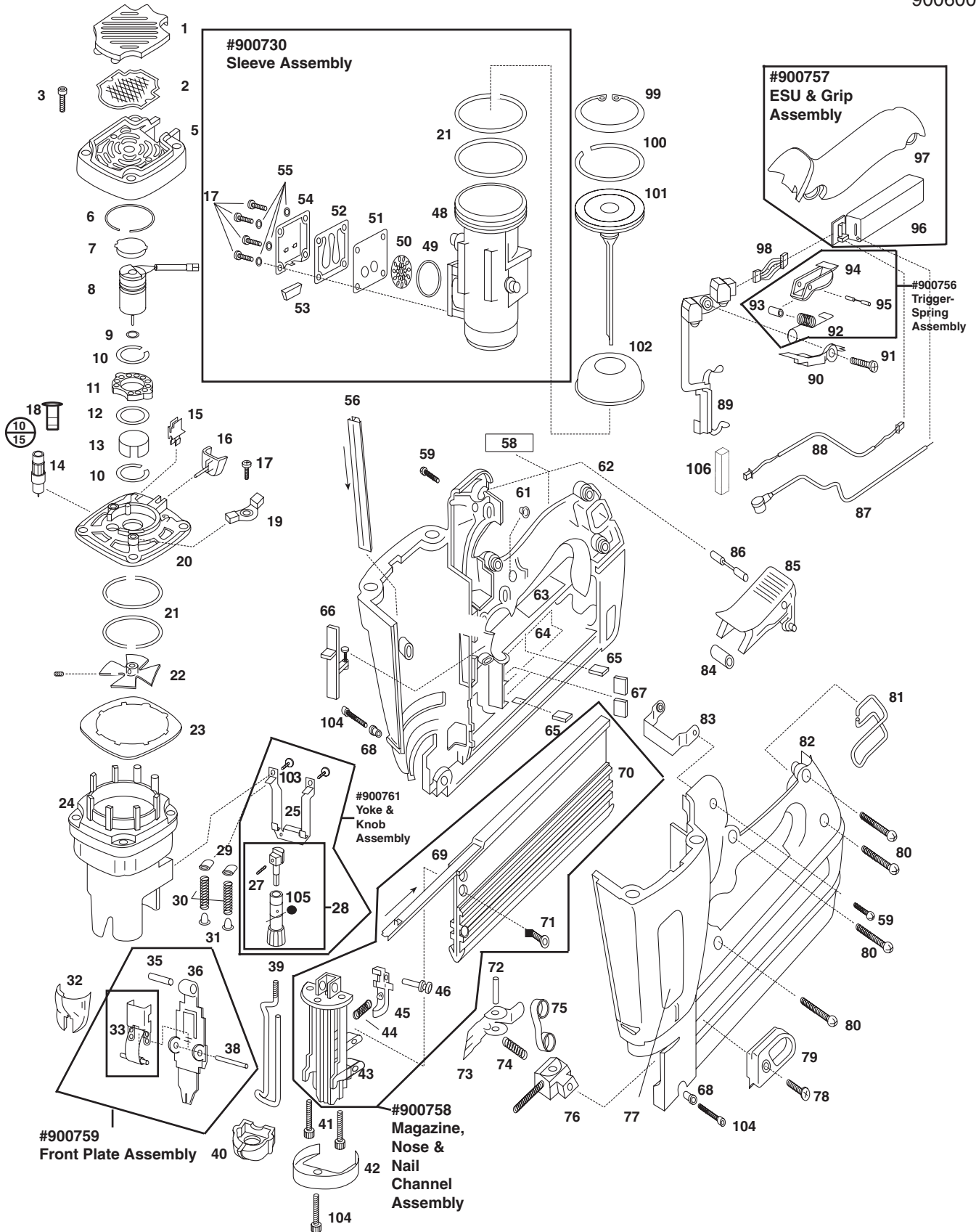
## IM250A F-16, 900600

1	900640	1	Grill	55	404468	4	Washer
2	900648	1	Filter	56	900620	1	Front Channel Extrusion
3	901064	4	Shoulder Screw 8-32 x 1-3/8"	→ 58	900795	1	Nameplate
4	900596	1	Screw, Sems 8-32 x 7/16"	59	900598	2	Sems Screw 10-32 x 5/16"
5	900639	1	Cap	61	404385	1	Light Pipe
6	900649	1	Retaining Ring	62	900731	1	Handle, Rightside
7	900716	1	Cover/Tension Reliever	**63	900496	1	Warning Label
8	900524	1	Fan Motor Assembly	64	900508	1	International Label
9	900468	1	Washer, Motor Shaft	65	404922	2	Battery Contact Pad
10	900647	1	Retaining Ring	66	900726	1	Slide Switch Assembly
11	900624	1	Motor Mount Assembly	67	401450	2	Battery Pad
12	900646	1	Wave Washer	68	900745	2	Bushing, Handle
13	401356	1	Motor Sleeve	69	900770	1	Brad Channel
14	900714	1	Spark Plug Assembly	70	900773	1	Magazine Extrusion
15	900674	1	Wire Clip	■71	900660	2	Screw 10-32 x 3/8"
16	900697	1	Stem Adapter	72	900722	1	Follower Pin
17	405140	4	Screw 8-32 x 3/8" (red)	73	900679	1	Follower
18	900785	1	Insulator	74	900691	1	Compression Spring
19	900739	1	Cylinder Head Circuit Board Assembly	75	900627	1	Negator Spring
20	900605	1	Cylinder Head	76	900720	1	Follower Core
21	900612	4	Seal Ring	→ 77	901111	2	Housing Label
22	900709	1	Fan Assembly	78	900724	1	Screw Plastite 8-16 x 5/8"
23	900700	1	Air Dam	79	900617	1	Follower Body
24	900729	1	Combustion Chamber Assembly	80	900453	4	Screw Plastite
25	900704	1	Yoke	81	900289	1	Belt Hook
27	900734	1	Roll Pin	82	900732	1	Handle, Leftside
28	900727	1	Knob w/ Yoke Guide Assembly	83	900703	1	Handle Bracket
29	900707	2	Probe Bumper	84	900755	1	Bushing Actuator
30	900671	2	Spring, Combustion Chamber	85	900788	1	Actuator
31	900706	2	Spring Guide	86	404433	1	Pin Actuator
32	900688	1	Latch Cover Quick Clear	87	900765	1	Spark Plug Wire Assembly
33	900786	1	Quick Clear Lever Assembly	88	900663	1	Fan Wire Assembly
35	900619	1	Dowel Pin	89	900661	1	Molded Circuit Assembly
36	900684	1	Front Plate	90	900629	1	High Tension Clip
38	900685	1	Latch Cover Pin	91	404702	1	Screw 6-32 x 3/8"
39	900686	1	Probe	92	900626	1	Trigger Spring
40	900702	1	Probe Tip	93	900608	1	Trigger Spring Bushing
41	900708	2	S.H.C.S. 8-32 x 1/2" (red)	94	900632	1	Trigger with Pad
42	900692	1	Retaining Cup	95	900607	1	Trigger Pin
43	900772	1	Nose	96	900672	1	Electronic Spark Unit
44	900631	1	Spring	97	900696	1	Soft Grip
45	900602	1	Lockout Bar	98	900662	1	ESU Power Wire Assembly
46	900630	1	Lockout Pin	99	403099	1	Retaining Ring
48	900730	1	Sleeve Assembly	100	403098	1	Piston Ring
49	900616	1	O-Ring	101	900728	1	Piston Assembly
50	901089	1	Exhaust Baffle	102	900680	1	Piston Bumper
51	900665	1	Reed Plate	103	900746	2	Screw 8-32 x 7/16"
52	900664	1	Reed Valve	104	900754	3	Screw 8-32 x 1/2" (yellow)
53	900609	1	Muffler	105	900645	1	Ball, knob
54	900668	1	Muffler Coveer	106	900766	1	Pad, Molded Circuit Board

\*\* Make sure Warning Label (900496) is properly affixed replace if necessary. Label is available at no charge through the Service Dept.

→ Denotes New Change

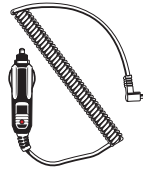
■ Apply Loctite RC-620 (Green) Part No. 401491



# ACCESSORIES

## Car Adapter

Enables you to re-charge your battery with your vehicle's electrical system.



Part No. 900507

---

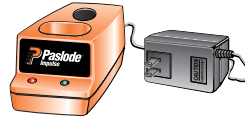
## Battery Cell

Part No. 404717

---

## Battery Charger Kit

(Replacement Charger Base Only Part No. 900476)  
(Replacement Transformer Only Part No. 900477)



Part No. 900200

---

## Rear Facing W.C.E. Probe

Ideal for getting into "tight" spots.



Part No. 900764

---

## No-Mar Tip - 3 Pk.

Contains 3 of #900702 tips conveniently packaged in a reusable plastic box.

Part No. 219236

---

## 9/64" Hex Key

For cleaning tool.

Part No. 900736

---

## Clear Safety Glasses

Part No. 402510

---

## Tinted Safety Glasses

Part No. 402512

---

## Degreaser Cleaner

Ideal cleaner for all Paslode® tools.

Part No. 219086

---

## Impulse Oil

Part No. 401482

---

## Carrying Case

Part No. 900751

---

## Green Loctite

Part No. 401491

---

## Bumper Removal Tool

Part No. 900760

---

 **Paslode**<sup>®</sup>  
An Illinois Tool Works Company  
888 Forest Edge Drive  
Vernon Hills, Illinois 60061  
[www.paslode.com](http://www.paslode.com)