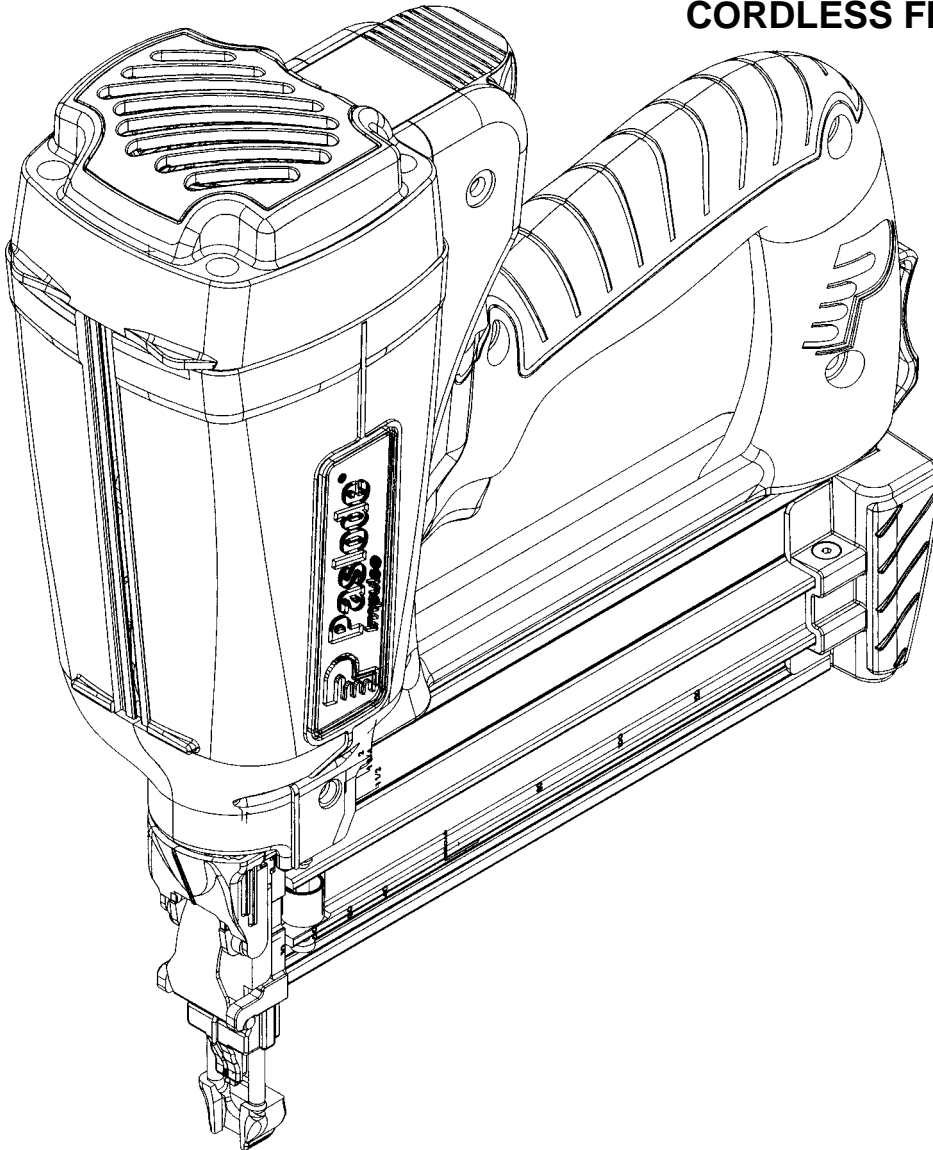




Model: IM200 F18
Part No. 901000
Cordless 18 Gauge Finish Nailer

MODEL IM200 F-18 CORDLESS FINISH NAILER



TOOL SCHEMATIC AND PARTS

**IMPORTANT!
DO NOT DESTROY**

Always refer to operators manual #405606 for detailed information on this tool. It is the customers responsibility to have all operators and service personnel read and understand this information.

PARTS LEGEND

IM200 F-18 , 901000

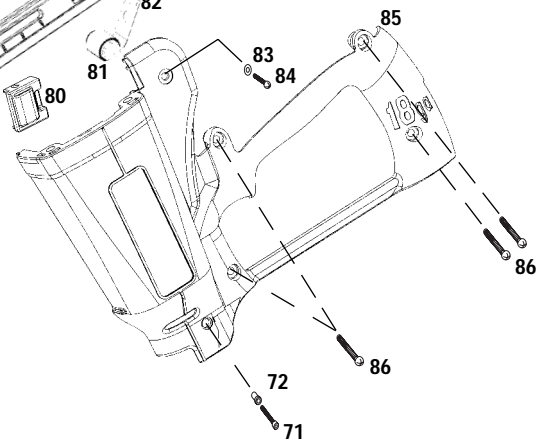
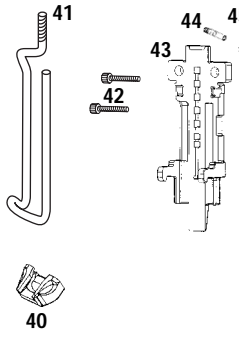
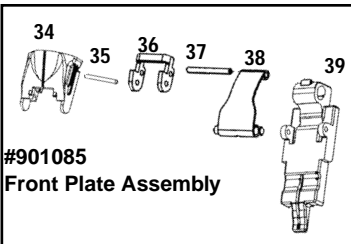
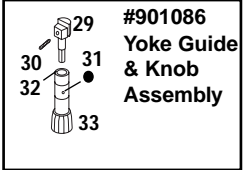
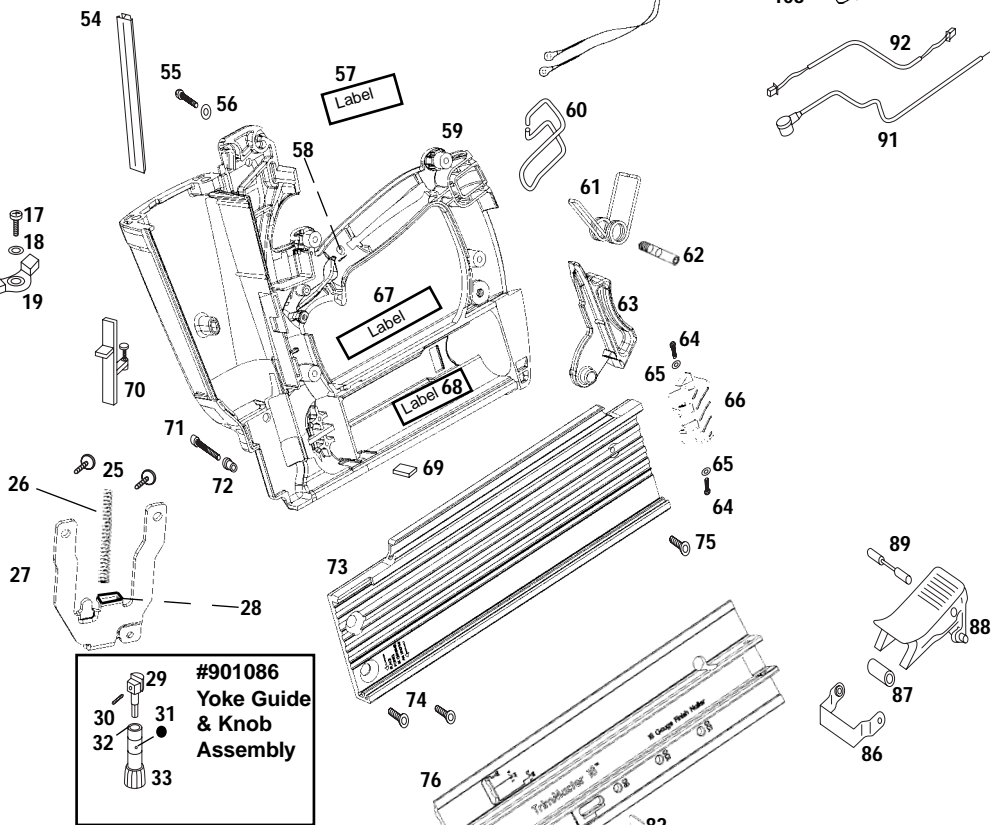
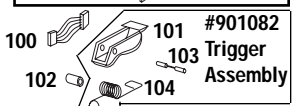
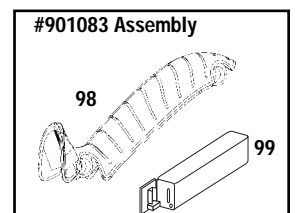
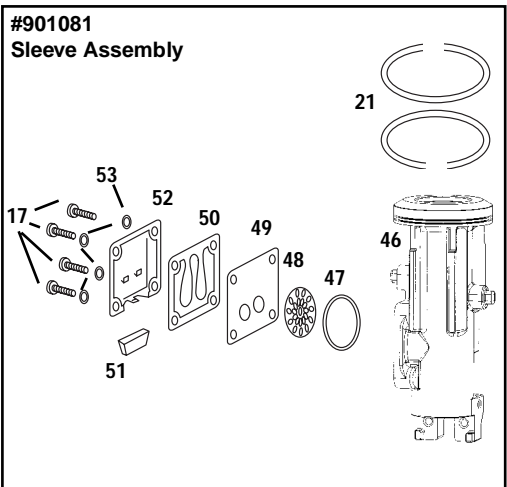
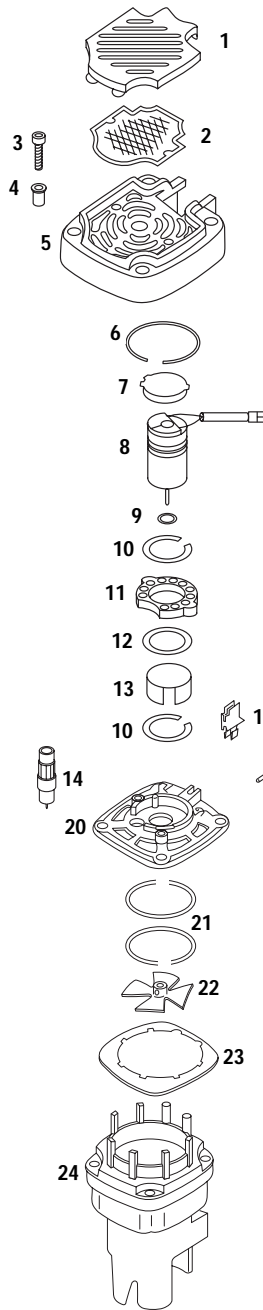
1	900640	1	Grill	54	901059	1	Front Channel
2	900648	1	Filter	55	900735	2	Screw 10-32 x 5/16" (red)
3	900747	4	S.H.C.S. 8-32 x 1-3/8"	56	900748	2	Washer
4	900695	4	Bushing	57	901060	1	Model Label
5	900639	1	Cap	58	404385	1	Light Pipe
6	900649	1	Retaining Ring	59	901079	1	Handle Right Side
7	900716	1	Cover/Tension Reliever	60	900289	1	Belt Hook
8	900524	1	Fan Motor Assembly	61	901019	1	Torsion Spring Magazine Latch
9	900468	1	Washer, Motor Shaft	62	900353	1	Pivot Pin
10	900647	1	Retaining Ring	63	901014	1	Magazine Latch Release
11	900624	1	Motor Mount Assembly	64	901061	2	Screw 6-32 x 3/16 BH
12	900646	1	Wave Washer	65	901072	2	Washer
13	401356	1	Motor Sleeve	66	901013	1	Magazine End Cap
14	900714	1	Spark Plug Assembly	**67	900496	1	Warning Label
15	900674	1	Wire Clip	68	900508	1	International Label
16	900697	1	Stem Adapter	69	404922	2	Battery Contact Pad
17	405141	5	Screw 8-32 x 7/16" (red)	70	900726	1	Switch Side Assembly
18	006562	1	#8 Internal Lock Washer	71	900754	2	Screw 8-32 x 1/2" (yellow)
19	900739	1	Cylinder Head Circuit Board Assembly	72	901032	2	Bushing, Handle
20	900605	1	Cylinder Head	73	901084	1	Mag.Base/Wear Strip Assembly
21	900612	4	Seal Ring	■74	900660	2	Screw 10-32 x 3/8"
22	900709	1	Fan Assembly	75	901062	1	Screw 6-32 x 1/8"
23	900700	1	Air Dam	76	901012	1	Magazine Cover
24	900729	1	Combustion Chamber Assembly	77	901015	1	Follower
25	900746	2	Screw 8-32 x 7/16 phtx	78	901018	1	Magazine Pin
26	901038	1	Spring	79	901055	1	O-ring
27	901037	1	Yoke	80	901052	1	Spring Cover
28	901039	1	Yoke Support	81	901016	1	Constant Force Spring
29	901029	1	Yoke Guide	82	901017	1	Spool Spring
30	900734	1	Roll Pin	83	900748	1	Washer
31	900645	1	Ball, Knob	84	900735	1	Screw
32	900361	1	Retaining Clip	85	901080	1	Handle Left Side
33	900727	1	Knob Assembly	86	901066	4	Screw- Plastite
34	901009	1	Latch Cover Quick Clear	87	900703	1	Handle Bracket
35	900685	1	Spring Pin	88	900755	1	Bushing Actuator
36	901005	1	Latch Clip	89	900634	1	Actuator
37	901049	1	Spring Pin	90	404433	1	Pin Actuator
38	901006	1	Spring Clip Assembly	91	900765	1	Spark Plug Wire Assembly
39	901002	1	Front Plate	92	900663	1	Fan Wire Assembly
40	901048	1	Probe Tip	93	901050	1	Molded Circuit Assembly
41	901007	1	Probe	94	901021	1	Piston Bumper
42	901026	2	Screw 10-24 x .75	95	901078	1	Piston Assembly
43	901003	1	Back Plate	96	901040	1	Piston Ring
44	901025	1	Support Pin	97	403099	1	Retaining Ring
45	901004	1	Front Plate Support	98	901044	1	Soft Grip
46	901081	1	Sleeve Assembly	99	900672	1	Electronic Spark Unit
47	900616	1	O-Ring	100	900662	1	ESU Power Wire Assembly
48	900613	1	Exhaust Baffle	101	901045	1	Trigger
49	900665	1	Reed Plate	102	900608	1	Trigger Spring Bushing
50	900664	1	Reed Valve	103	901047	1	Trigger Pin
51	900609	1	Muffler	104	901053	1	Trigger Spring
52	900668	1	Muffler Cover	105	404702	3	Screw 6-32 x 3/8"
53	404468	4	Washer	106	900629	1	HighTension Clip
				107	900311	1	Contact Positive
				108	900312	1	Contact Negative

■ Apply Loctite RC-620 (Green) Part No.401491

** Make sure Warning Label (900496) is properly affixed replace if necessary. Label is available at no charge through the Service Dept.

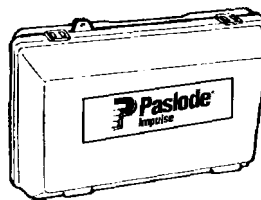
➔ Denotes Change

IM200 F-18
901000



ACCESSORIES

Impulse Nailer Case



Part No. 901058

Battery Cell



Part No. 404717

Impulse Oil

Part No. 401482

Torx Key - T7

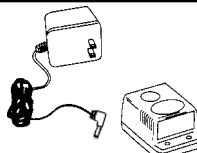
For tightening fan blade to motor

Part No. 900183

Battery Charger Kit

(Replacement Charger Base only Part No. 900476)

(Replacement Transformer Only Part No. 900477)



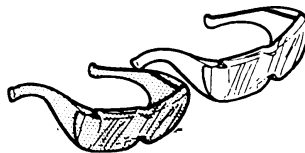
Part No. 900200

Clear Safety Glasses

Part No. 402510

Tinted Safety Glasses

Part No. 402512



Degreaser Cleaner

Ideal cleaner for all Paslode tools

Part No. 219086

Service Tool Kit

A 19 piece tool kit containing all the necessary tools to repair any Impulse tool.

Part No. 401498

No- Mar Tip - Hard Tip No- Mar Tip - Soft Tip

Part No. 901048

Part No. 901067

High Altitude Fuel Cell Valve - 4 pack

For use in elevations above 4000 feet.

Part No. 219247

 **Paslode**[®]
An Illinois Tool Works Company
888 Forest Edge Drive
Vernon Hills, Illinois 60061